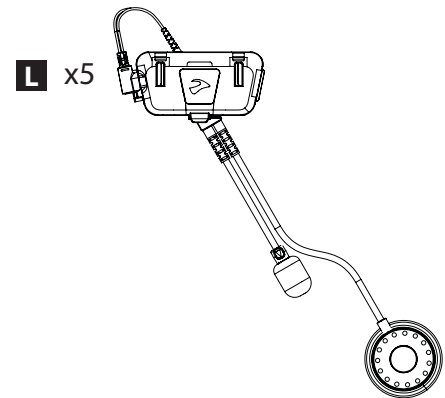
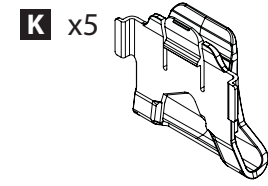
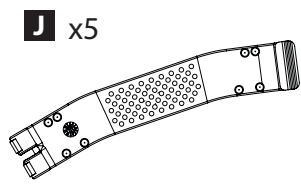
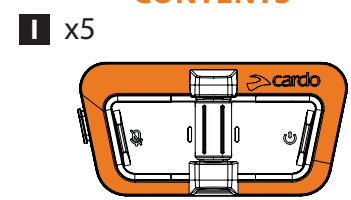
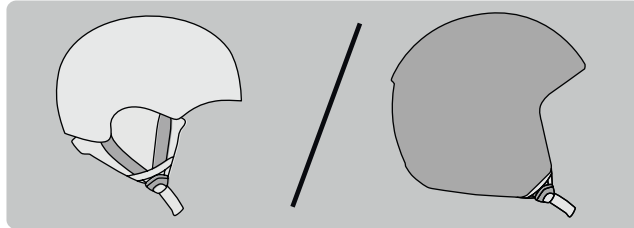


PACKTALK OUTDOOR
INSTALLATION GUIDE
EN/IT/SP/FR/DE

STUDENT CONTENTS

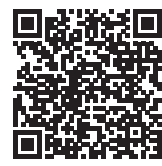


-17-



Installation Video

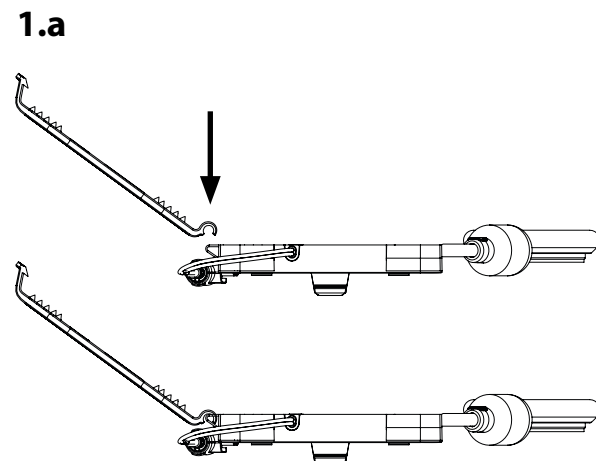
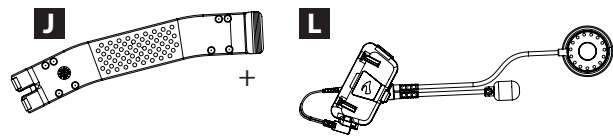
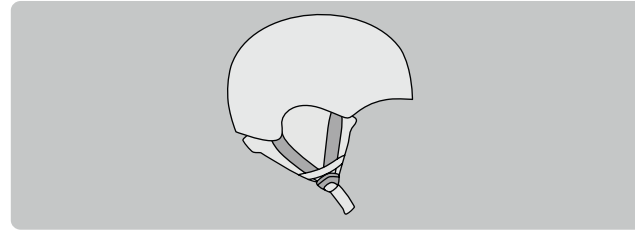
Video d'installazione
Video de instalación
Vidéo d'installation
Installationsvideo



-18-

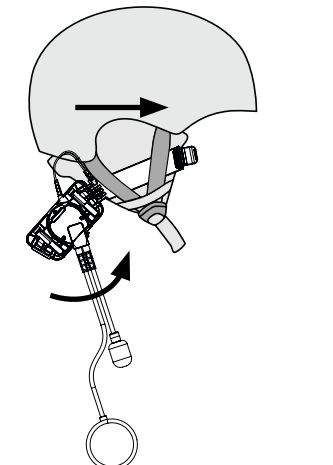
1 MOUNT THE CRADLE

Option 1

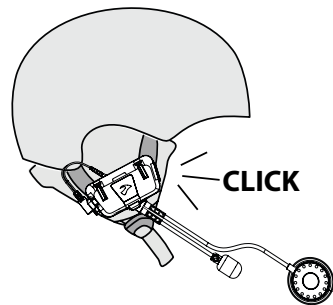


-19-

1.b

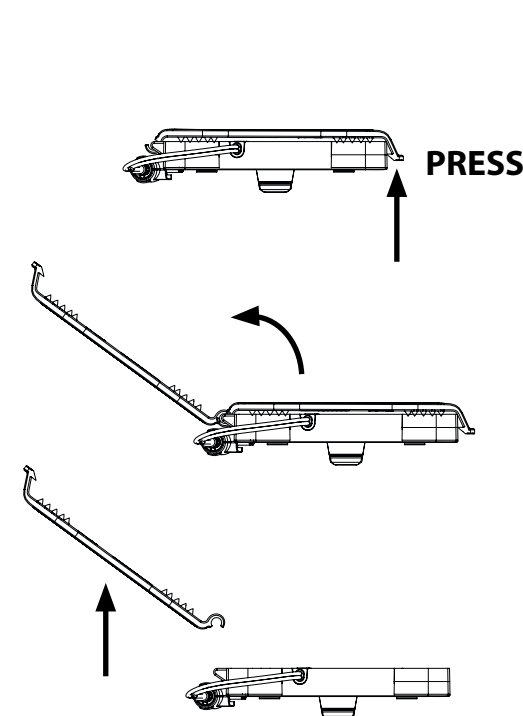


1.c



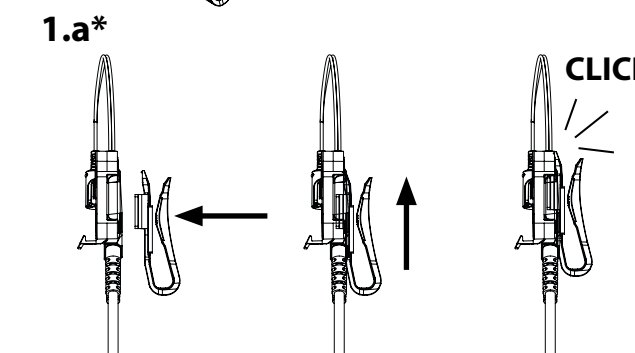
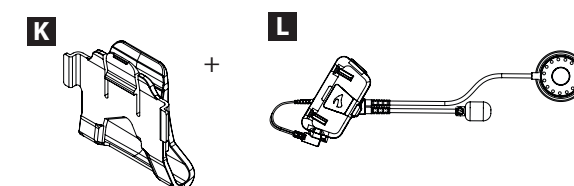
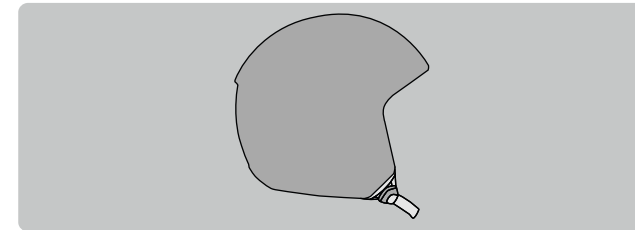
-20-

Remove Bar

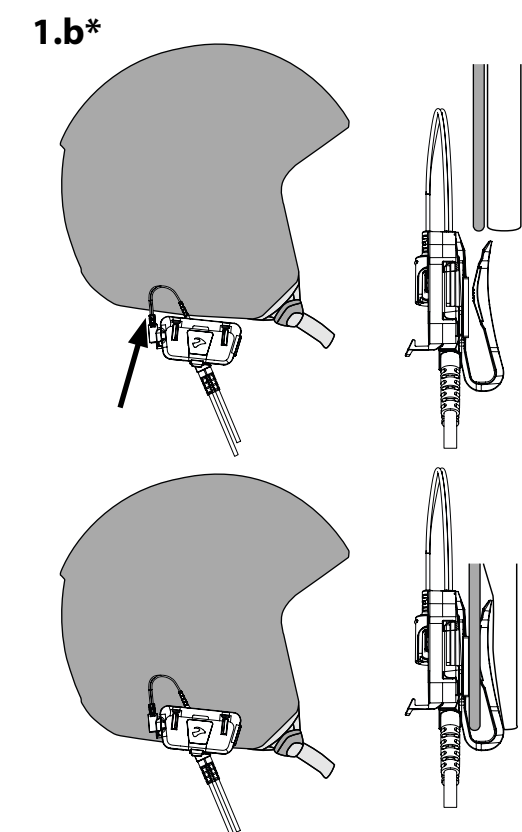


-21-

Option 2



-22-



-23-

MAN0640 MAIN OUTDOOR INSTALLATION GUIDE PROF_A04



Download: Cardo Connect App

Follow Cardo Outdoor
YouTube

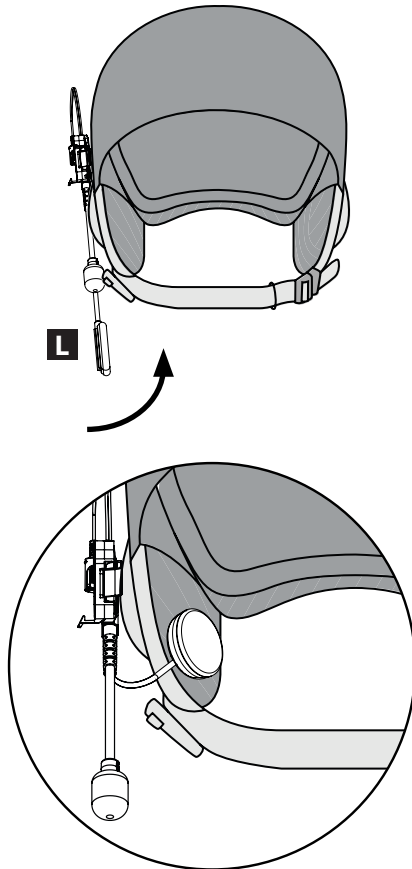
cardosystems.com/support

cardosystems.com/outdoor

STAY IN TOUCH
communication in motion
Cardo

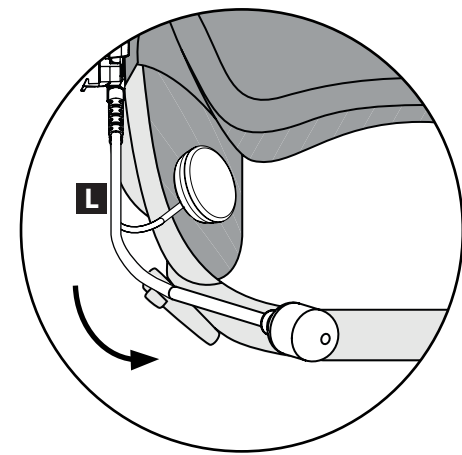
2 PLACE THE SPEAKER AND MICROPHONE

2.a



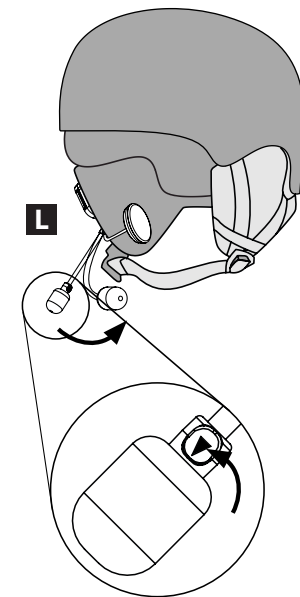
-24-

2.b



-25-

2.c



Arrow Faces Mouth

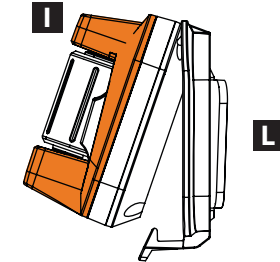
La freccia va posizionata di fronte alla bocca
La flecha encarando la boca
La flèche est en face de la bouche
Pfeil in Richtung des Mundes

-26-

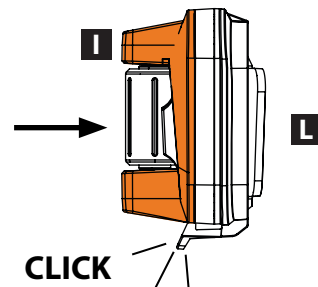
3 INSERT UNIT



3.1

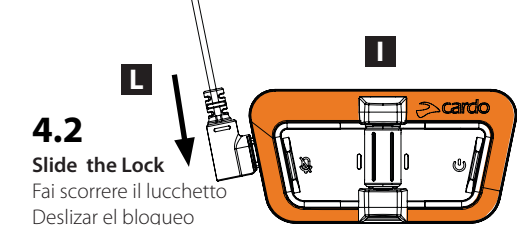
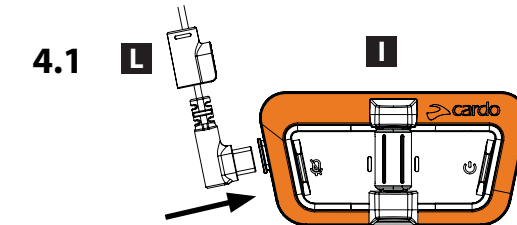


3.2

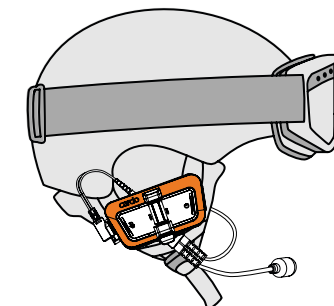


-27-

4 CONNECT AUDIO KIT

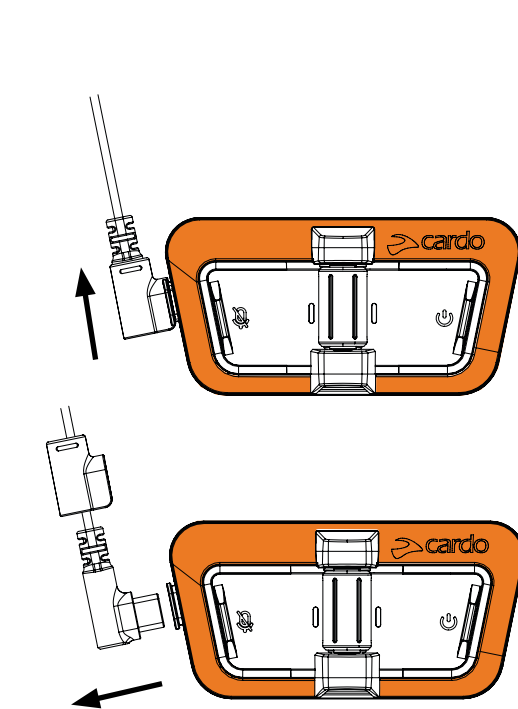


Slide the Lock
Fai scorrere il lucchetto
Deslizar el bloqueo
Faire glisser la fermeture
Sicherung aufschieben

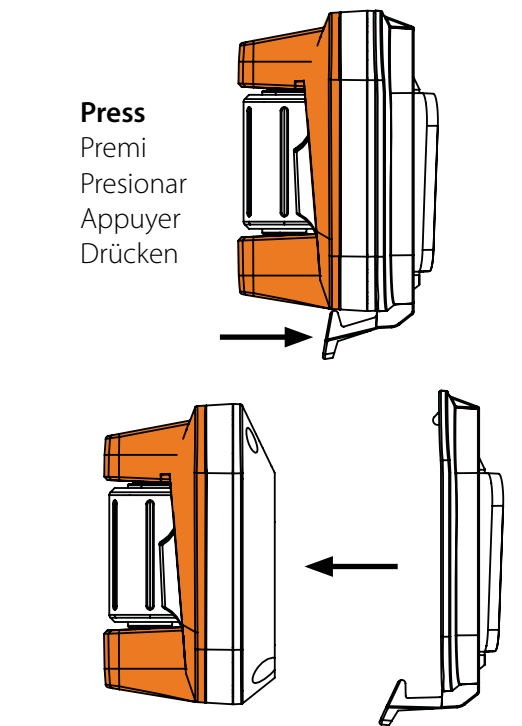


-28-

5 REMOVE THE UNIT

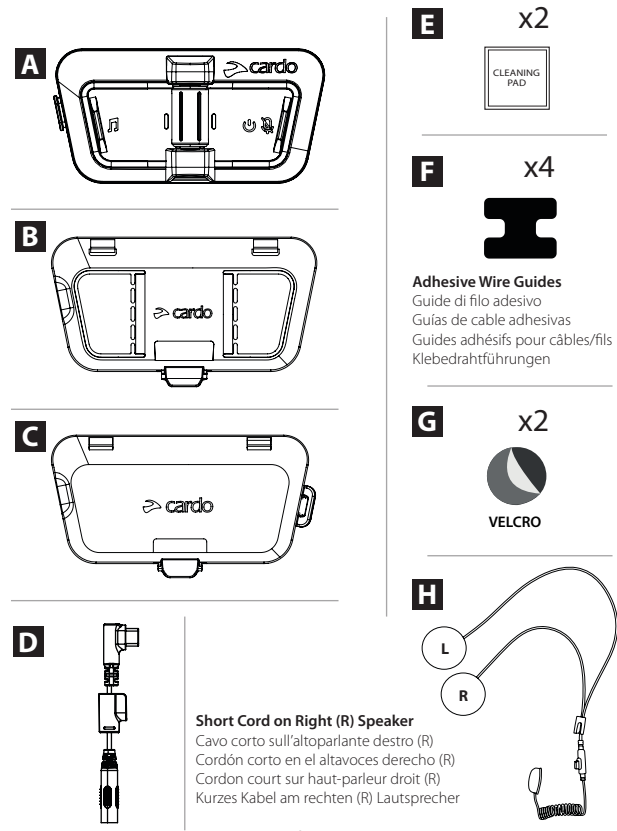


-29-

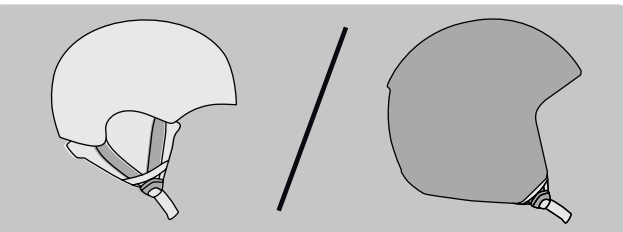


-30-

INSTRUCTOR CONTENTS



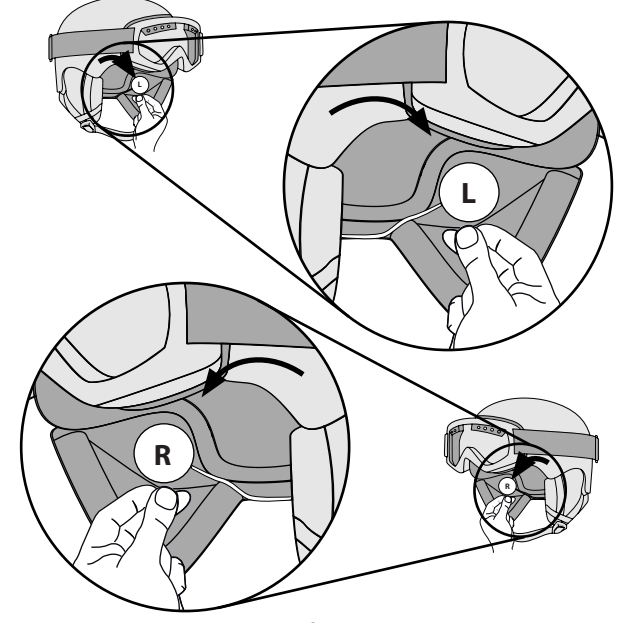
Installation Video
Video d'installazione
Video de instalación
Vidéo d'installation
Installationsvideo



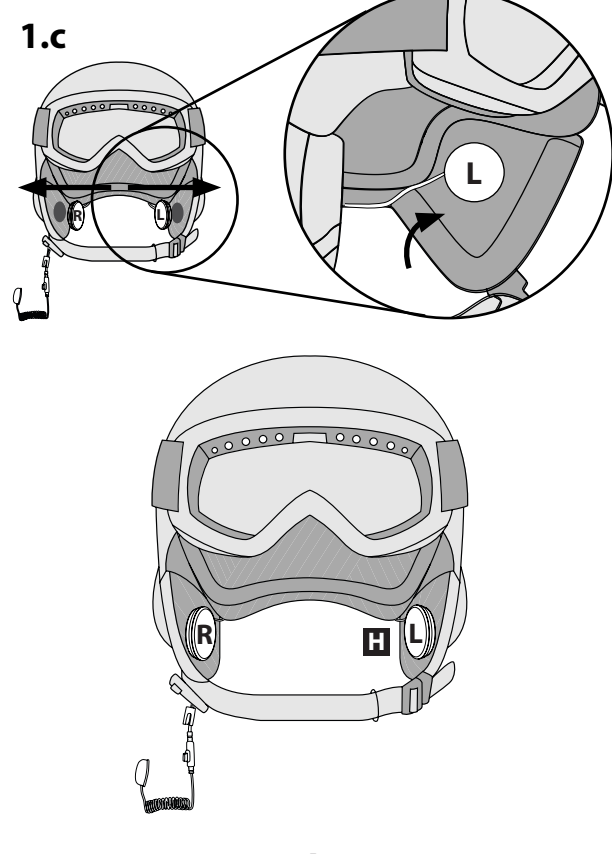
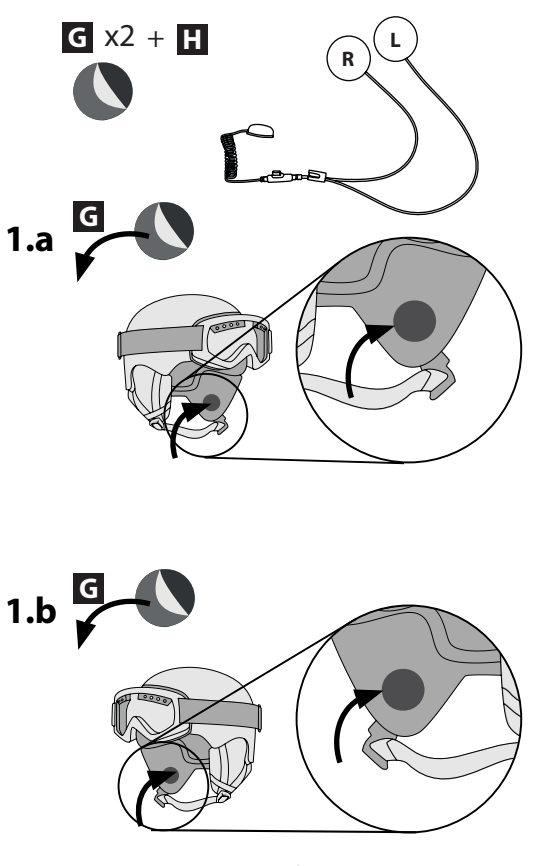
1 INSTALL THE SPEAKERS

Option 1: In Ear Pockets

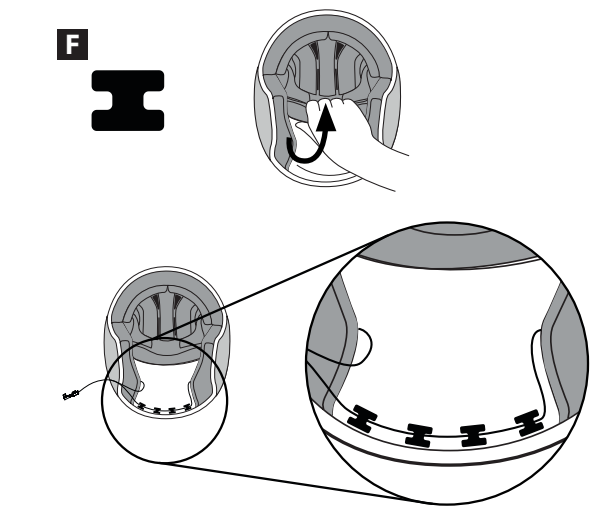
Place speakers into ear pockets
Posiziona gli altoparlanti nelle tasche per le orecchie
Colocar los altavoces en los bolsillos
Placer les écouteurs dans les étuis auriculaires
Lautsprecher in die Polsterung einsetzen



Option 2: Velcro on Inner Padding



2 SET WIRE ON HELMET



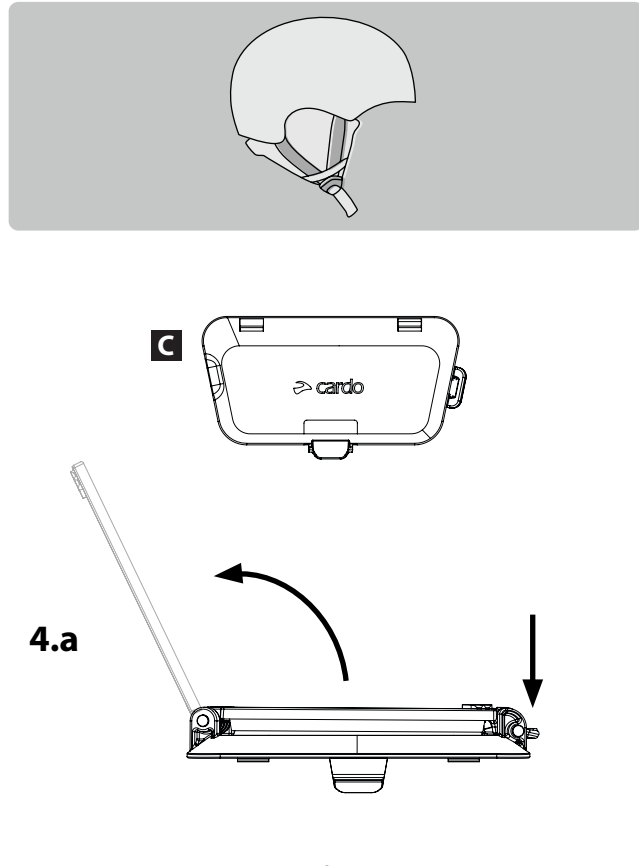
Position wire under padding and place stickers
Posiziona il filo sotto l'imbottitura e applica gli adesivi
Colocar el cable bajo el relleno y coloca las pegatinas
Positionner le fil sous le coussinet et placer les autocollants
Kabel hinter der Polsterung positionieren und Aufkleber anbringen

3 ATTACH THE MICROPHONE

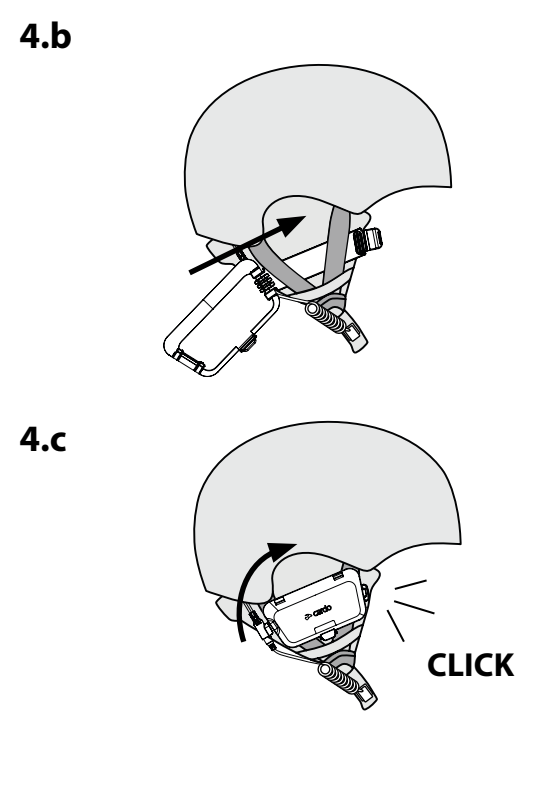


4 MOUNT THE CRADLE

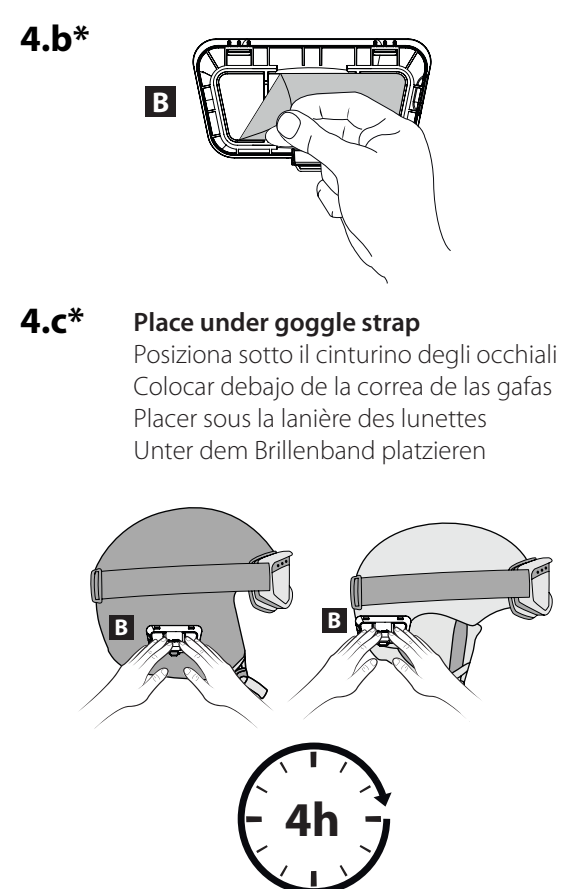
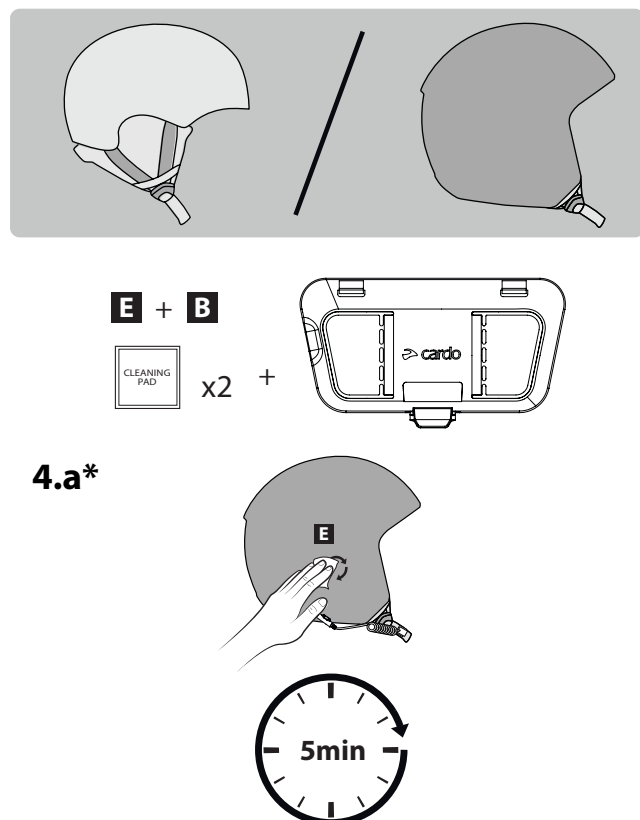
Option 1



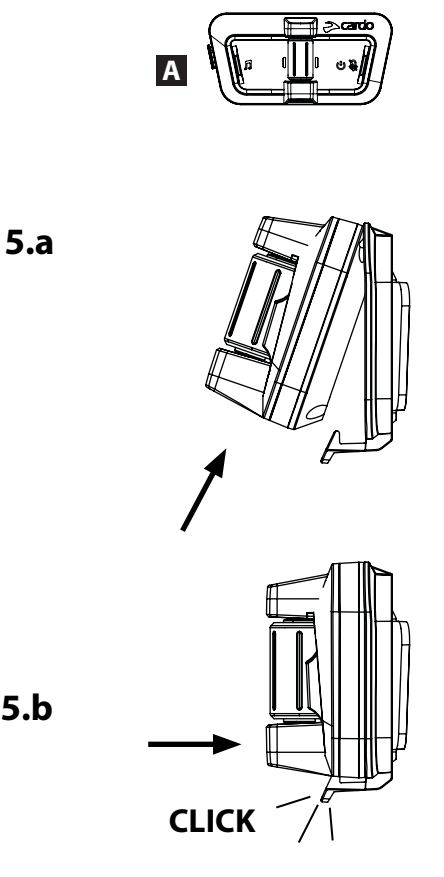
4 MOUNT THE CRADLE



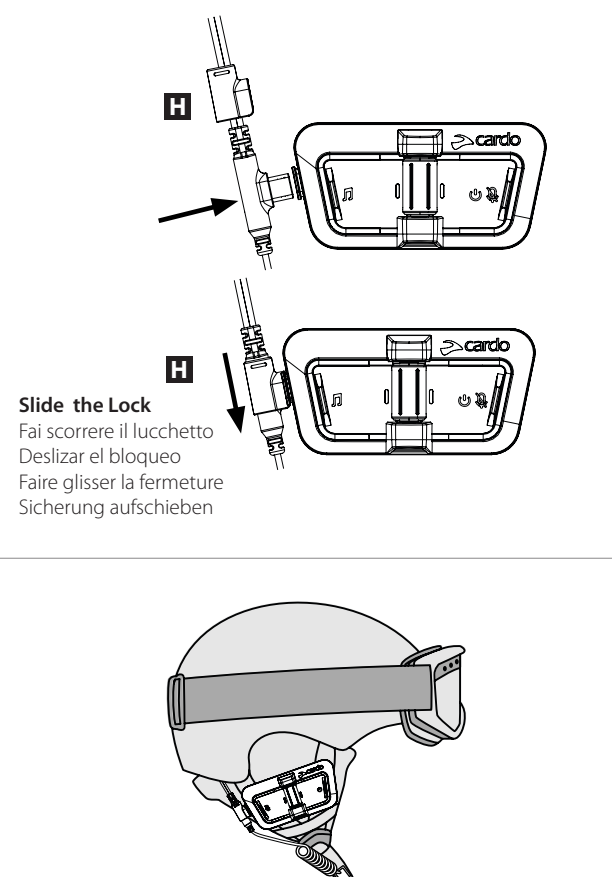
Option 2



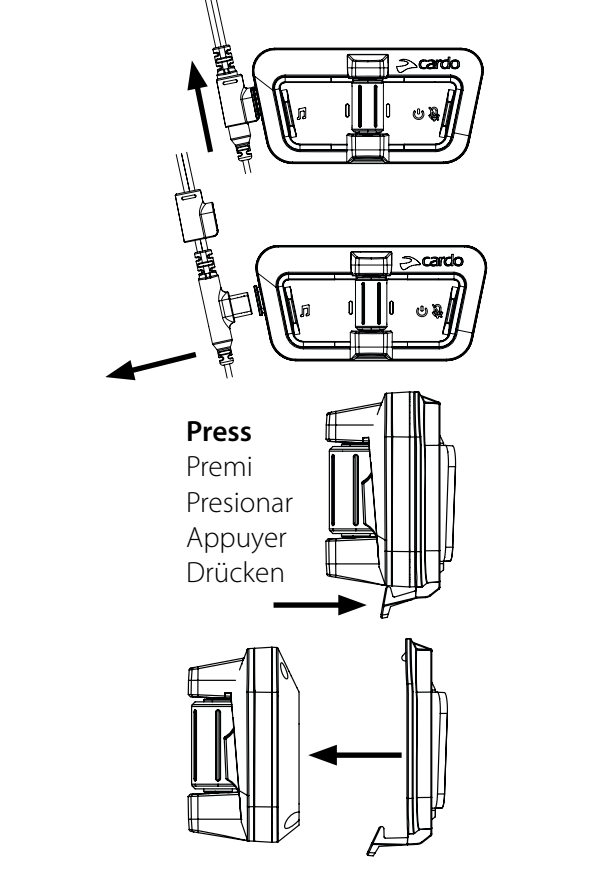
5 INSERT UNIT



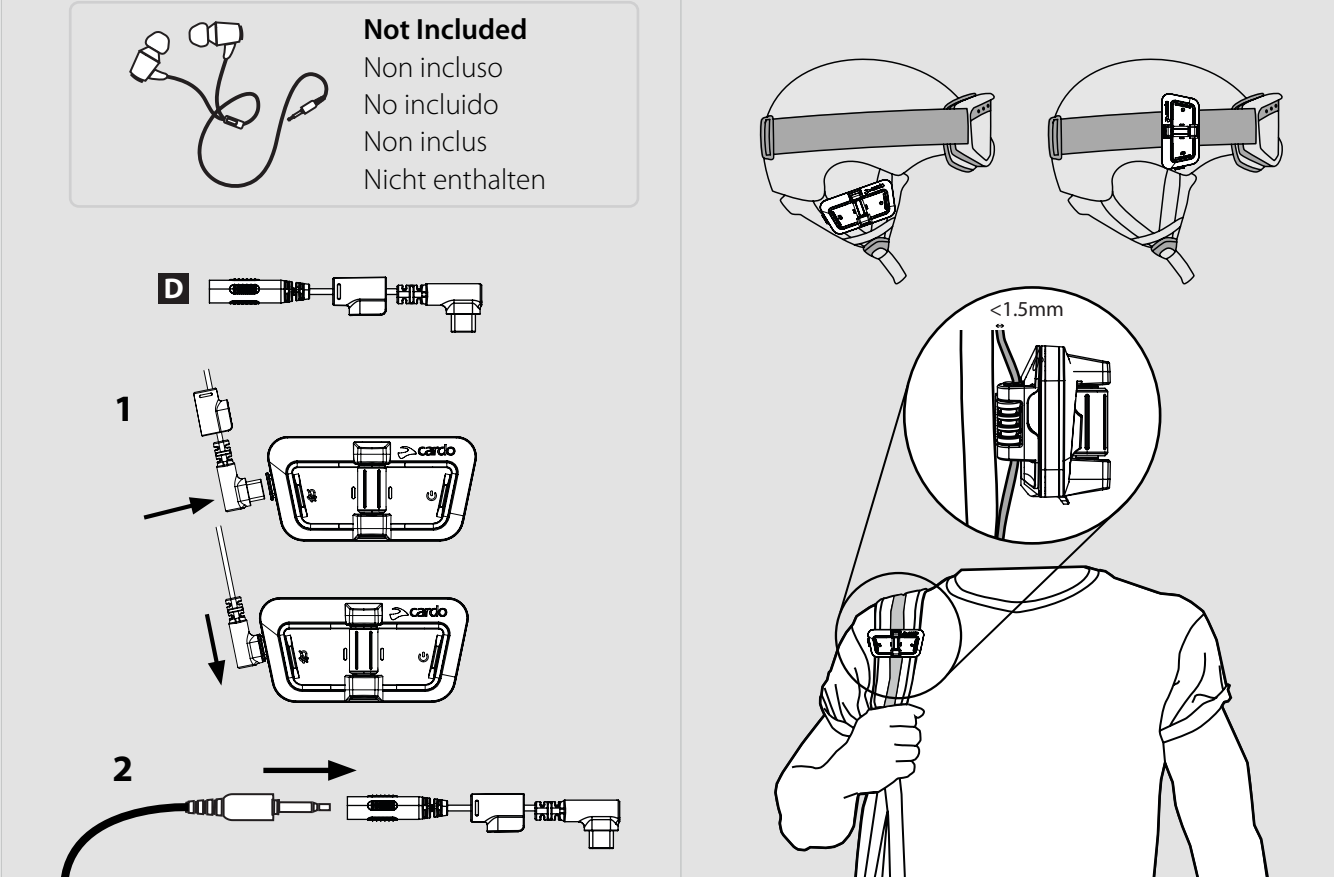
6 CONNECT AUDIO KIT



7 REMOVE THE UNIT



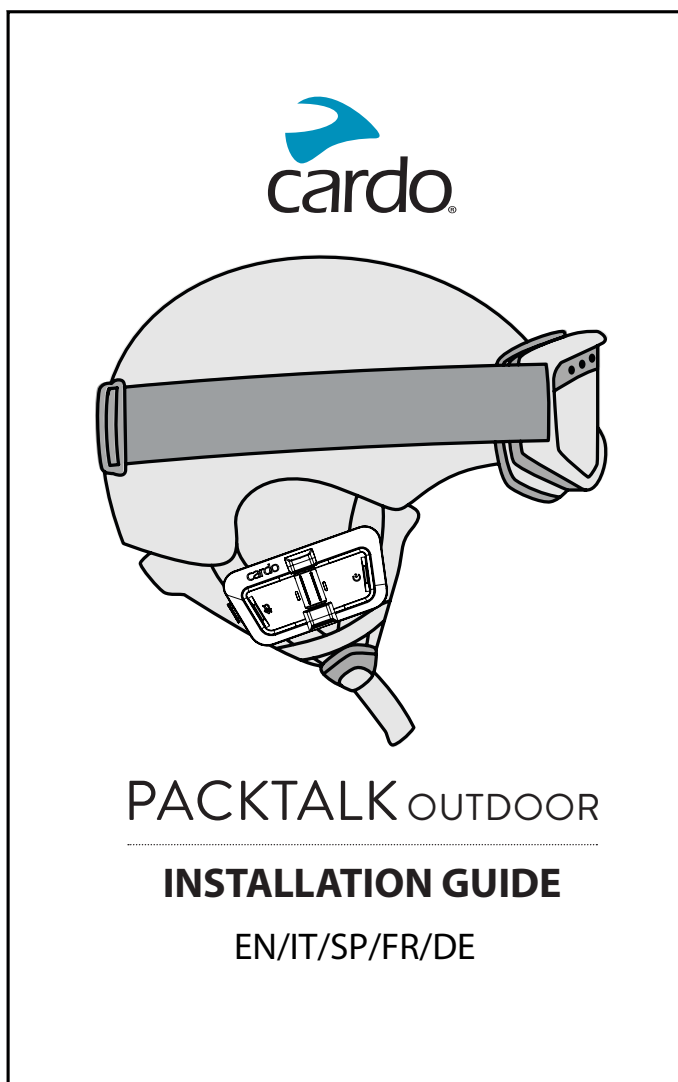
OPTIONAL: CONNECT YOUR OWN HEADPHONES



Measurements

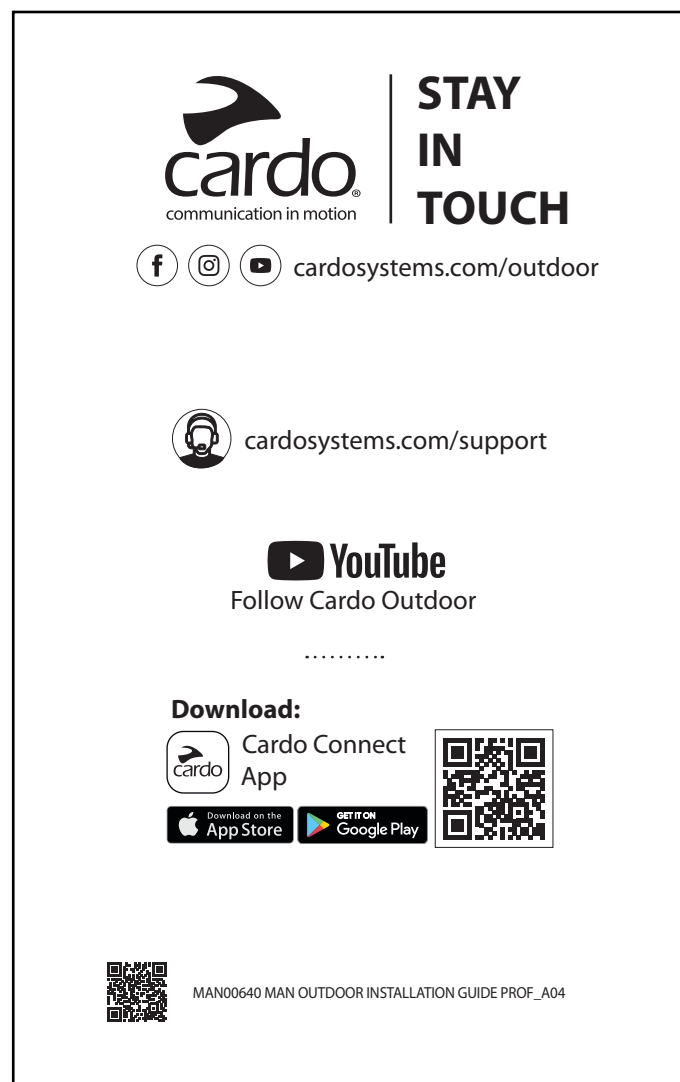
front
90 mm

145 mm



back
90 mm

145 mm



**STAY
IN
TOUCH**

[f](#) [@](#) [v](#) cardosystems.com/outdoor



cardosystems.com/support



Follow Cardo Outdoor

Download:

Cardo Connect App



MAN00640 MAN OUTDOOR INSTALLATION GUIDE PROF_A04

TYPE APPROVAL

P/N	MAN00640		
DESCRIPTION	INSTALLATION GUIDE		
FILE NAME	MAN00640 MAN OUTDOOR INSTALLATION GUIDE PROF_A04		
LANGUAGE	EN/DE/FR/IT/ES		
PRODUCT TYPE	MANUAL		
MATERIAL	P2 C4+4 80 gr offset folded		
PRINTING PROCESS	COLOR: CMYK		
SECONDARY PROCESS			
ATTACHED FILES	1. GRAPHIC FILE - PDF		
MEASUREMENT	SPREAD: 145MM-900MM , FOLDED: 145MM-90MM		
CLIENTS/ DISTRIBUTOR	 		
SPECIAL REQUIREMENT	 		
REVISION	DESCRIPTION	DATE	NAME
A01	First Version	11.1.2022	DANNA
A02	Many Graphics and Text Changes	27.4.22	Richard
A03	Graphic and text changes	15.6.22	Richard
A04	Fixed several unit graphics	12.7.22	Richard